

Who **POWERS** You?

\$5,000 Grand Prize ⚡ **\$2,000 2nd Place**
\$1,500 3rd Place ⚡ **\$500 4th Place**

Shelby Electric Cooperative is partnering with our national brand, Touchstone Energy® Cooperative, to help launch the fifth annual #WhoPowersYou contest to honor local heroes who are making a difference in their co-op communities.

As the national network of more than 700 electric co-ops, Touchstone Energy® Cooperative values and appreciates the people who make our communities better. That is why they launched a contest to honor inspirational community members across the country. This is an opportunity for members of Touchstone Energy affiliated co-ops to nominate someone who has made a positive impact in their community. In addition to being nationally recognized, the person you nominate could win one of four cash prizes. The nominee must be a member of an electric cooperative to qualify.

Help us spread the word about the #WhoPowersYou contest.

Contest Overview

- ⚡ Members can enter the contest by visiting WhoPowersYou.com
- ⚡ Contest begins on September 8, 2020
- ⚡ Contest ends on October 9, 2020
- ⚡ Only Touchstone Energy Cooperative members and employees are eligible to participate
- ⚡ Co-op employees can make nominations, but are not eligible to be a contest nominee
- ⚡ Winners will be selected by a panel of judges
- ⚡ Contest winners may receive up to \$5,000
- ⚡ To enter, co-op members will be asked to submit a photo of their nominee and answer three questions that showcase how the nominee has positively impacted their community
- ⚡ Winners will be announced in November 2020

Entry form and full contest rules and conditions can be found at WhoPowersYou.com or follow the link on our cooperative website shelbyelectric.coop.

Drive-up and lobby now open

The cooperative recently reopened the front lobby and newly added drive-up window. Originally constructed in 1959, the Shelby Electric Cooperative headquarters building had seen very few changes over the years. For the past several months, updates to the 60-year-old structure focused on energy efficiency, member convenience, and modernization of the facility. Employee safety was also addressed, along with improvements for handicap accessibility. The renovation project included the front

lobby, Shelby Energy Company's lobby, community room, restroom facilities, and replacement of all exterior windows and doors of the south building.

The front lobby saw the most change. The reception area has been updated, including the addition of a private room for members and guests to meet with individual employees. The new lobby renovations allowed for the addition of two more offices. A drive-up window has been added to the front of the building, which includes a payment drop box.

The updated community room includes improved technology, which will now allow for remote training opportunities for employees. Cooperative restrooms are now handicap accessible. The exterior

windows and doors have been replaced with energy efficient models.

"The renovations and upgrades were long overdue and creates a better member and vendor experience when visiting the office," noted President/CEO Josh Shallenberger. "It allows us to provide a higher quality of support, not only to our members, but also to all of our inside employees, as well as those who work in the field," added Shallenberger.

"We want to say thank you for your patience during the construction process. If you have any questions, please call us at 217-774-3986 or stop by the office," continued Shallenberger.

Cooperative offices are open, Monday through Friday, from 7 am to 4 pm.



SHELBY News

P.O. BOX 560
Shelbyville, IL 62565
Phone: 217-774-3986
or 1-800-677-2612
Pay-by-Phone:
1-855-385-9981
www.shelbyelectric.coop
twitter.com/YourCoop
facebook.com/YourCoop

Office Hours:
7:00 a.m. - 4:00 p.m.



Energy Efficiency Tip of the Month

Installing a smart power strip is a quick and easy way to start saving money while making your home more energy efficient. Smart power strips can actually cut power off to save energy since they are able to detect when a device is in standby mode.

Source: energy.gov



Lineman Cary Bryson Retires

Cary Bryson possesses many positive attributes, but early on in his life, one of the most notable attributes was persistence. It was his persistence that eventually found him employed with Shelby Electric Cooperative in his dream job as a lineman. “I remember when I was a kid walking to the cooperative office and hanging on the fence watching the guys load poles and materials before they headed out for the day. I was around 8 years old and my grandfather’s farm was just down the road from the co-op office,” explained Bryson. “I thought one day I’d like to be one of those guys.”

Cary said his family moved around a lot when he was younger, but one constant was being able to spend time on his grandpa and grandma’s farm. His grandparents, Guy and Nannie Par, also owned a well-known restaurant: Guy’s Steak House in Shelbyville. Guy’s Steak House was a well-established restaurant in the area for over 50 years. To add yet another intriguing element about his grandparents, they raised Clydesdales used by Anheuser-Busch, commonly known as the Budweiser Clydesdales.

Cary continued his traveling ways by going to school in Oregon after graduating from Argenta High School in 1979. The plan was to be a conservationist. What he ended up doing was working for a contracting crew in 1983 installing some of the first fiber around the country. This had him working the Pacific Northwest, including Alaska and Hawaii.

Becoming a lineman at the cooperative is where his persistence paid off. Upon returning to Illinois, Cary tried unsuccessfully twice to be hired on at the co-op. In July 1989, Cary tried for a third time, and as they say, third time’s a charm. New management gave him an opportunity to fulfill a childhood wish, and Cary became one of “those guys” he had admired from the fence.



Cary Bryson, pictured sixth from right, poses with fellow linemen who helped save Kevin Carlen’s life.

Lineman Cary Bryson retires after 31 years of service.

Cary and his wife Rita have two grown sons who live in Nevada. Levi, the oldest, lives in Las Vegas, and Zachary lives in Reno. “Rita was one of the main reasons I moved back to the area, and I actually met her while she was working at Guy’s Steak House,” Bryson said with a smile.

Even though his personal life was filled with adventures and excitement, his 31-year career with the cooperative had its memorable moments as well. He loved the day-to-day work, keeping the power on for the members, but remembers working several snow and ice storms during his career. He also traveled to assist cooperative members who lost power during the destructive forces of both Hurricane Ivan and Katrina. “There is no way to describe the joy we get seeing power restored after a lengthy outage caused by Mother Nature,” exclaimed Bryson. “The appreciation shared by fellow co-ops when they get their members’ power restored and when we restore power

to our members following a winter or summer storm, it is a great feeling.”

The most recent memory that stuck out in his mind was being part of a group of 12 fellow linemen who saved Kevin Carlen’s life after he went into cardiac arrest while participating in pole top rescue training. Cary was in the bucket during Kevin’s turn. “We were kind of branded heroes for what we did, but we all just reacted and utilized the training we have had over the years. I was just glad it had a happy ending,” said Bryson.

What does retirement look like to Cary? He said he does not know for sure. There are projects to keep him busy, fishing and mushroom hunting are always things to do, and he hopes to travel some. He will miss his co-op family for sure. “I have made some close friends working here. I have seen guys come and go. I guess after 31 years it is my turn,” ended Bryson.

Congratulations on your well-deserved retirement Cary!

REAL LIFE REAL POWER

Getting Real with Marla & Mini-Splits

If you have ever wished you could heat or cool a bonus room, sunroom, garage, or shop, a ductless mini-split system may be the solution. Mini-splits are heat pump systems that allow you to control the temperature in individual rooms or zones. These units have two main components - an outdoor compressor/condenser and an indoor air-handling unit. In the summer, the mini-split uses a refrigeration system to move heat from inside to outside, like an air conditioner. In cold months, the cycle is reversed.

Mini-splits are very adaptable because they do not require ductwork. This allows them to be installed in areas otherwise difficult to heat and cool, such as spaces built on a slab foundation. It also avoids any energy loss through leaky or unsealed ductwork. More than 30 percent of the energy used to heat and cool the air can be lost through ductwork, especially if the ducts are located in unconditioned areas, such as attics or crawl spaces.

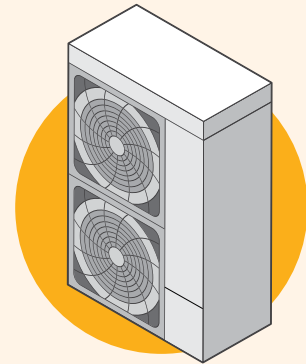
Now is not the time to be sweating bullets in the heat and humidity. Check out the Types of Heat Pumps graphic to learn more about the various types of heat pumps available.

~Marla Foor,
Communication Specialist

Types of Heat Pumps

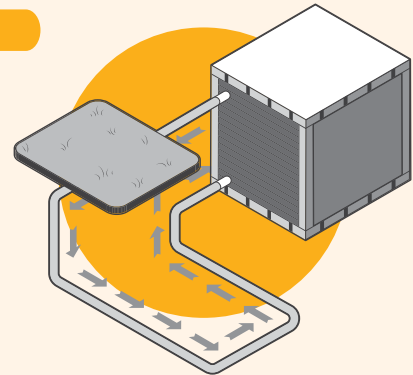
Air-Source Heat Pumps

- Move heat rather than converting it from fuel, like combustion heating systems do
- Can reduce heating costs by about 50 percent when compared to baseboard heaters or electric furnaces
- If temperatures in your area drop below 10 to 25°F, you may need an auxiliary heating system



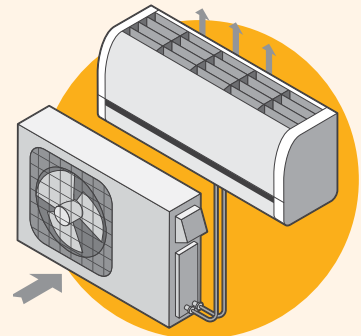
Geothermal Heat Pumps

- More expensive to install but provide more energy savings for heating and cooling
- Move heat through pipes buried underground
- When compared to a conventional heating system, can reduce energy use by 25 to 50 percent
- Effective in extreme climates
- Not ideal for smaller lots and certain soil conditions



Ductless Mini-Split Heat Pumps

- Flexible for heating and cooling individual rooms and smaller spaces
- No energy loss through ductwork, which accounts for more than 30 percent of a home's energy use for space heating/cooling



Sources: Dept. of Energy and Consumer Reports



ONLINE BILL PAY

Pay your bills online and monitor usage with the **smarhub** app!

